

NOTA: Estos planos son orientativos, pudiendo sufrir modificaciones durante el desarrollo del proyecto, a juicio de la dirección técnica y de los organismos competentes. El mobiliario es figurativo no vinculante.

NOTE: These plans are for guidance only, and may change during the project, according to the technical management. Figurative furniture is not binding.

# OASIS 17-P01

PLOT SURFACE: 811.05 m<sup>2</sup>

## GROUND FLOOR

### BUILDING Surface

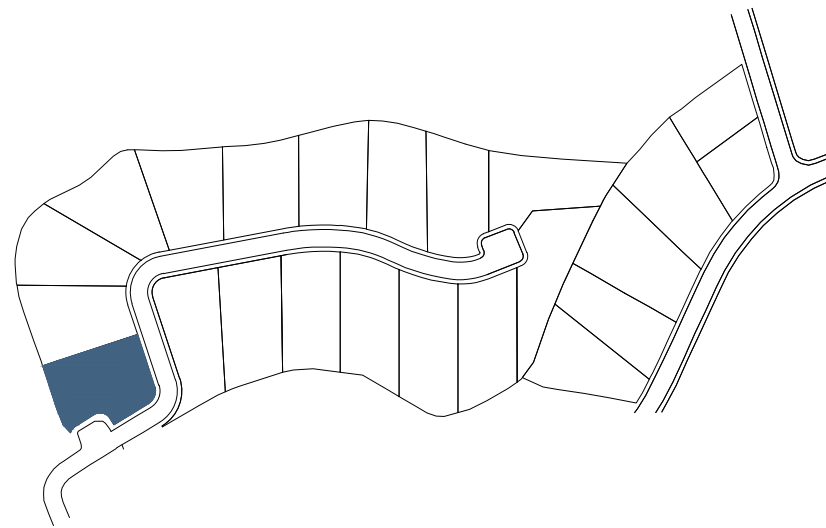
Ground Floor	105.00m <sup>2</sup>
Terrace	71.07m <sup>2</sup>
Pool	36.72m <sup>2</sup>

**TOTAL BUILT GROUND FLOOR** 212.79m<sup>2</sup>

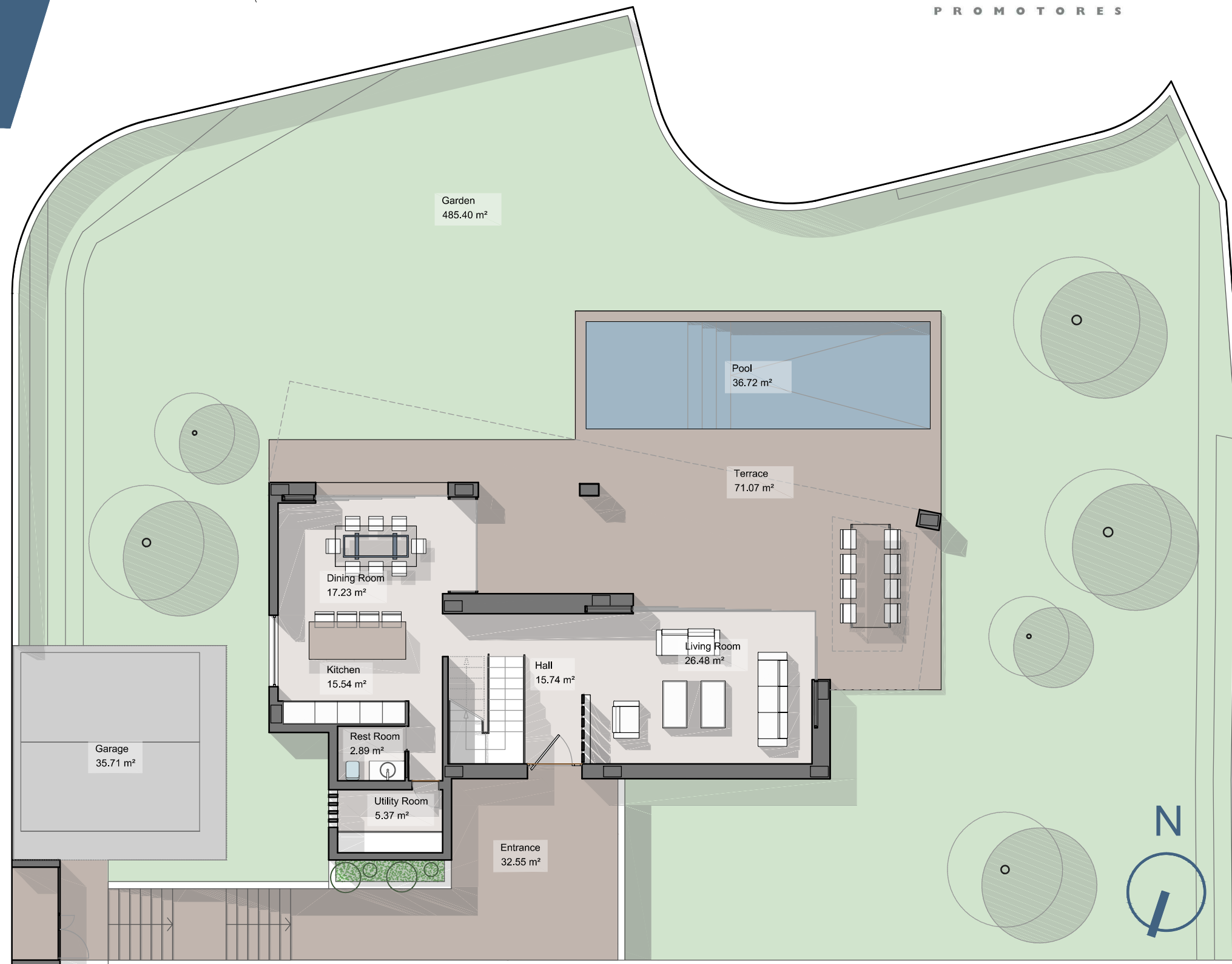
### BUILDING Area sqm

Ground Floor	212.79m <sup>2</sup>
First Floor	142.03m <sup>2</sup>

**TOTAL BUILT AREA** 354.82m<sup>2</sup>



PROMOTORES



# OASIS 17-P01

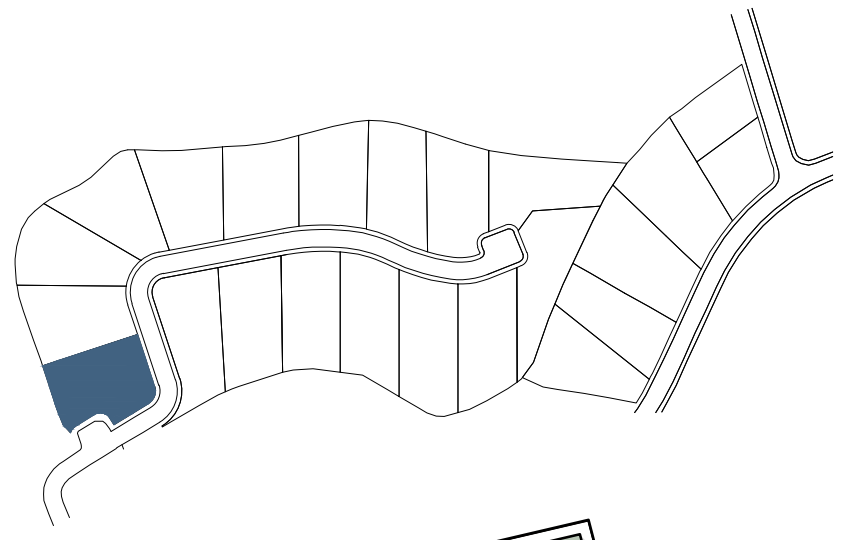
PLOT SURFACE: 811.05 m<sup>2</sup>

## FIRST FLOOR

### BUILDING Surface

First Floor 101.00m<sup>2</sup>  
Terrace 41.02m<sup>2</sup>

**TOTAL BUILT FIRST FLOOR 142.03m<sup>2</sup>**



PROMOTORES



NOTA: Estos planos son orientativos, pudiendo sufrir modificaciones durante el desarrollo del proyecto, a juicio de la dirección técnica y de los organismos competentes. El mobiliario es figurativo no vinculante.

NOTE: These plans are for guidance only, and may change during the project, according to the technical management. Figurative furniture is not binding.

# OASIS 17-P01

PLOT SURFACE: 811.05 m<sup>2</sup>

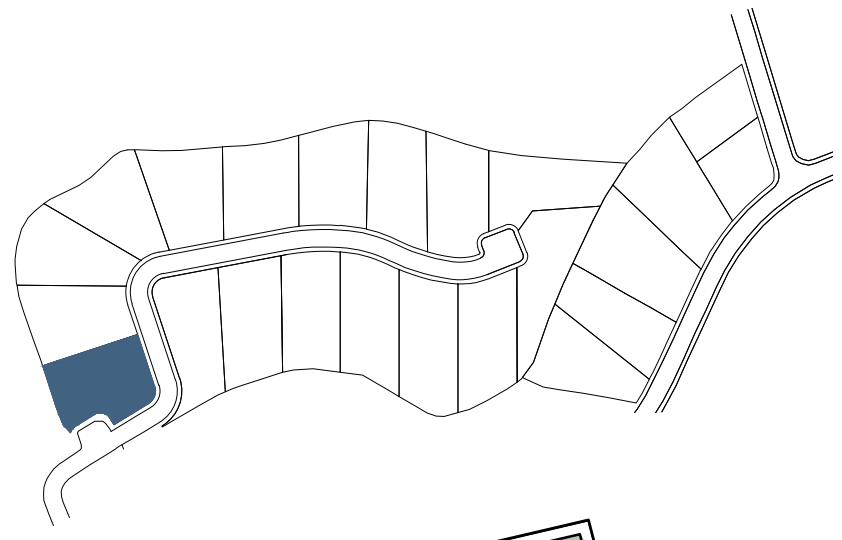
## SOLARIUM

### BUILDING Surface

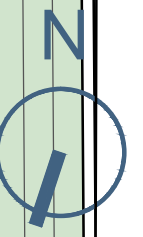
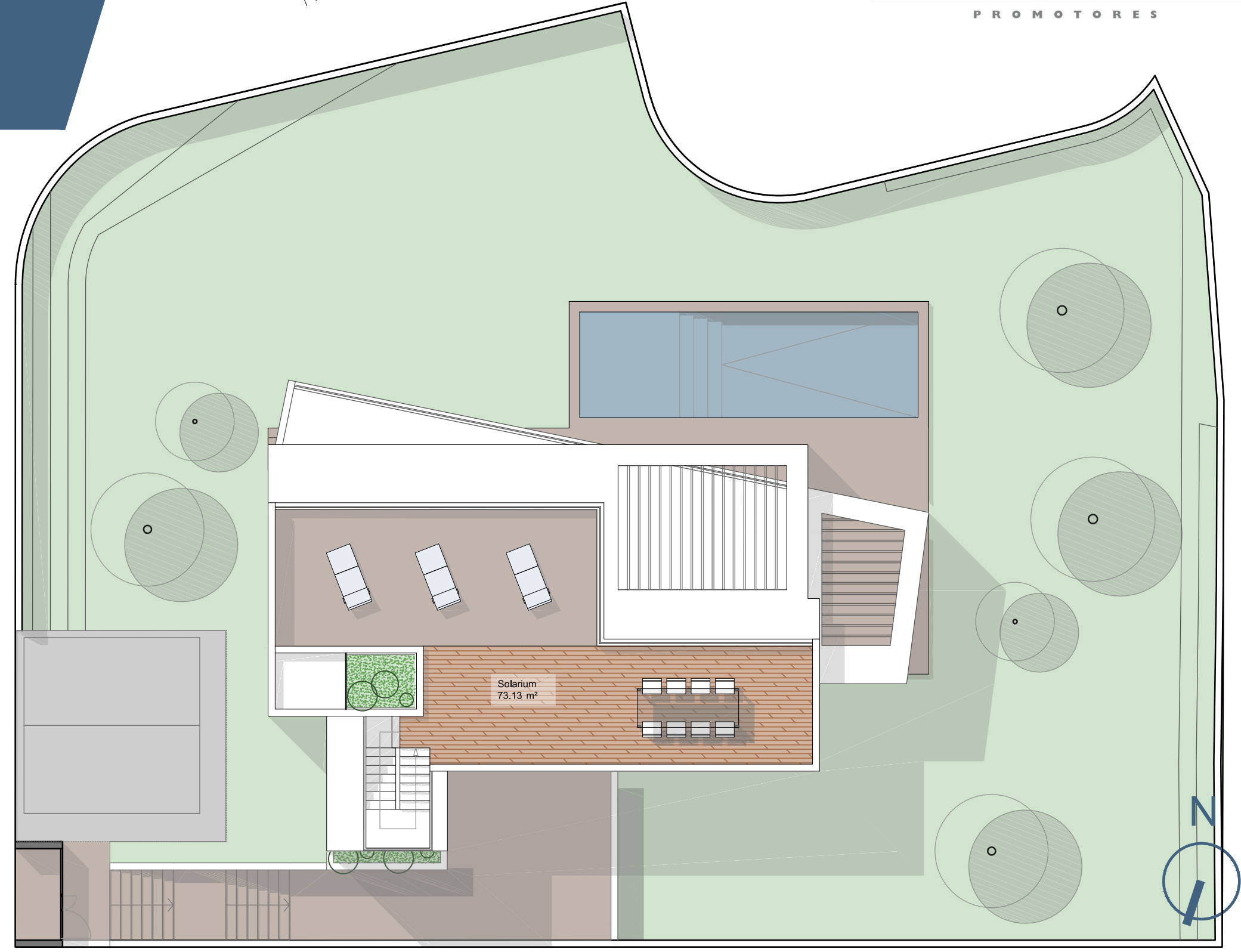
Solarium 89.54m<sup>2</sup>

### TOTAL BUILT SOLARIUM

89.54m<sup>2</sup>



PROMOTORES



NOTA: Estos planos son orientativos, pudiendo sufrir modificaciones durante el desarrollo del proyecto, a juicio de la dirección técnica y de los organismos competentes. El mobiliario es figurativo no vinculante.

NOTE: These plans are for guidance only, and may change during the project, according to the technical management. Figurative furniture is not binding.

to the technical

# OASIS 17-P01

PLOT SURFACE: 811.05 m<sup>2</sup>

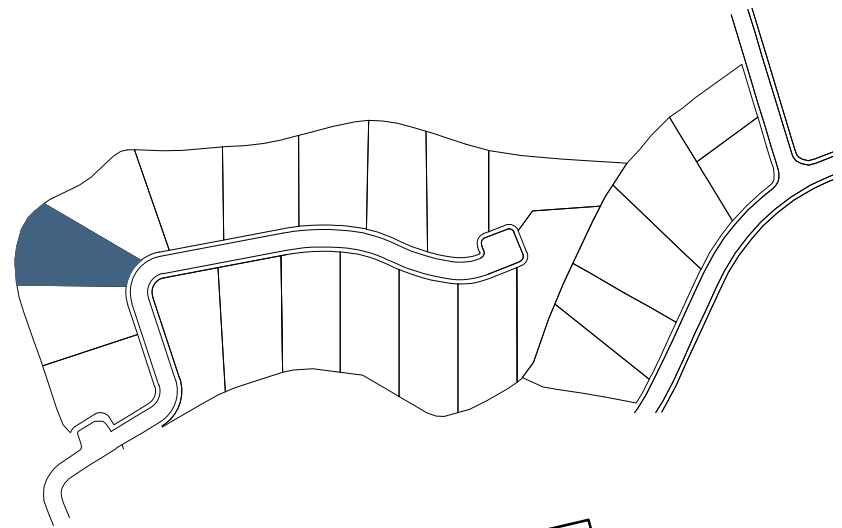
## BASEMENT 2

### BUILDING Surface

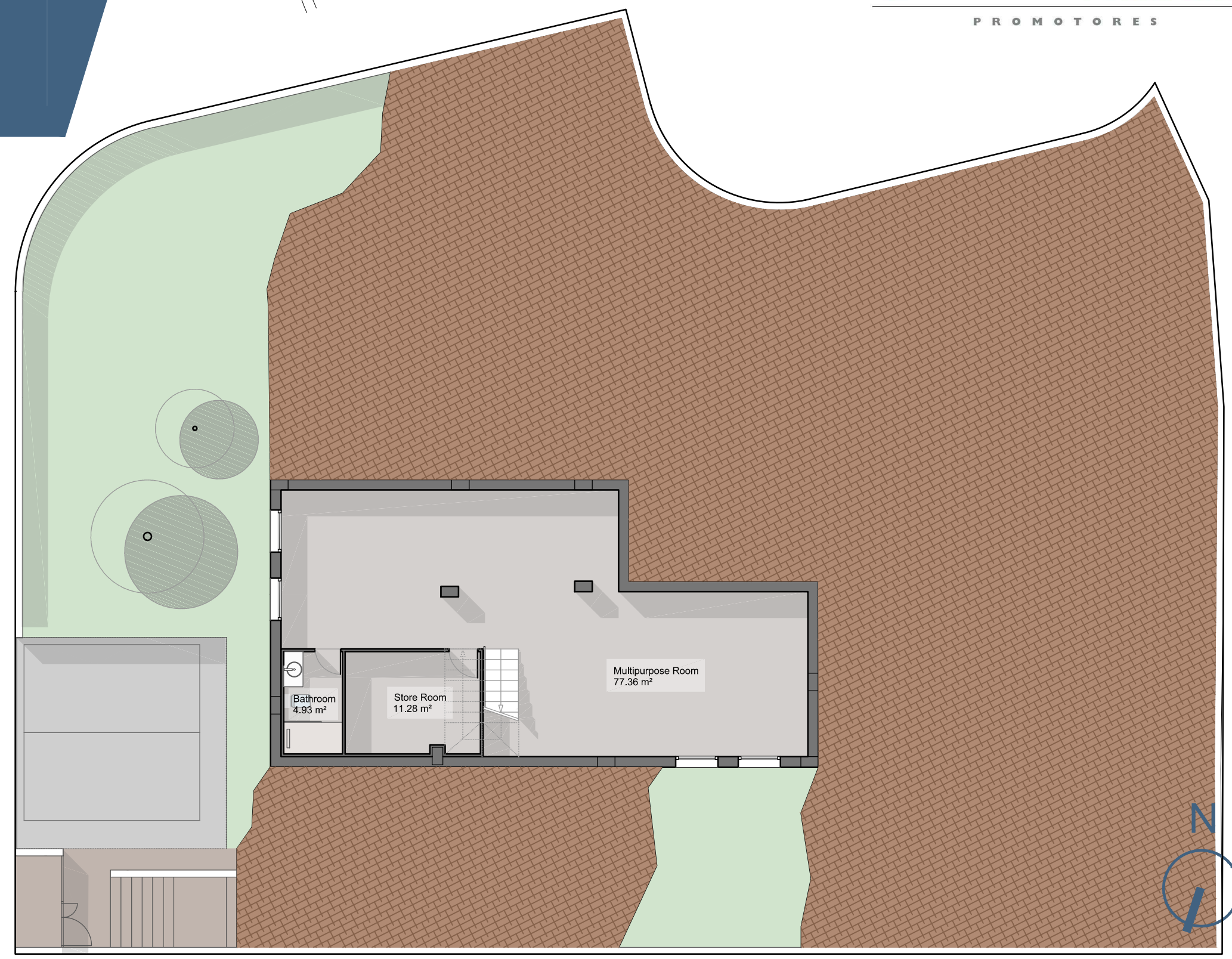
Basemnet 111.95m<sup>2</sup>

### TOTAL BUILT BASEMENT

111.95m<sup>2</sup>



PROMOTORES



NOTA: Estos planos son orientativos, pudiendo sufrir modificaciones durante el desarrollo del proyecto, a juicio de la dirección técnica y de los organismos competentes. El mobiliario es figurativo no vinculante.

NOTE: These plans are for guidance only, and may change during the project, according to the technical management. Figurative furniture is not binding.

# OASIS 17-P01

PLOT SURFACE: 811.05 m<sup>2</sup>

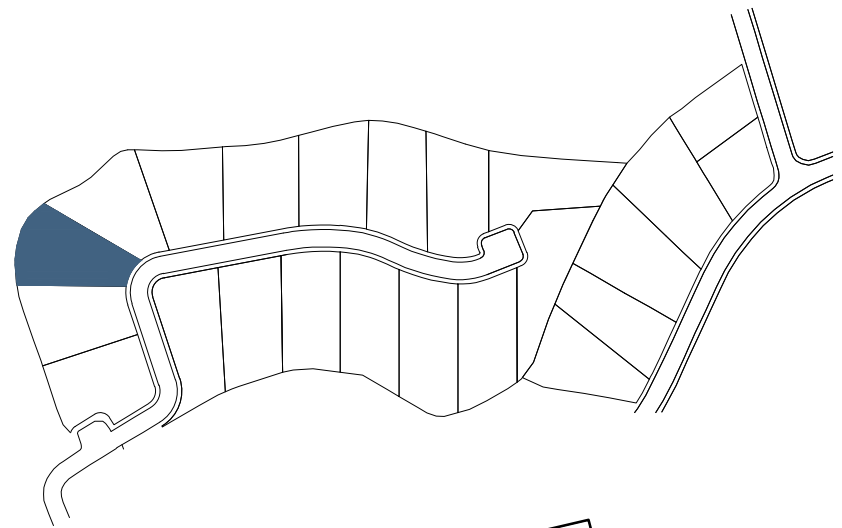
## BASEMENT 3

### BUILDING Surface

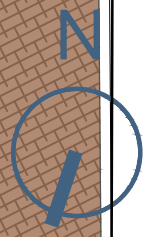
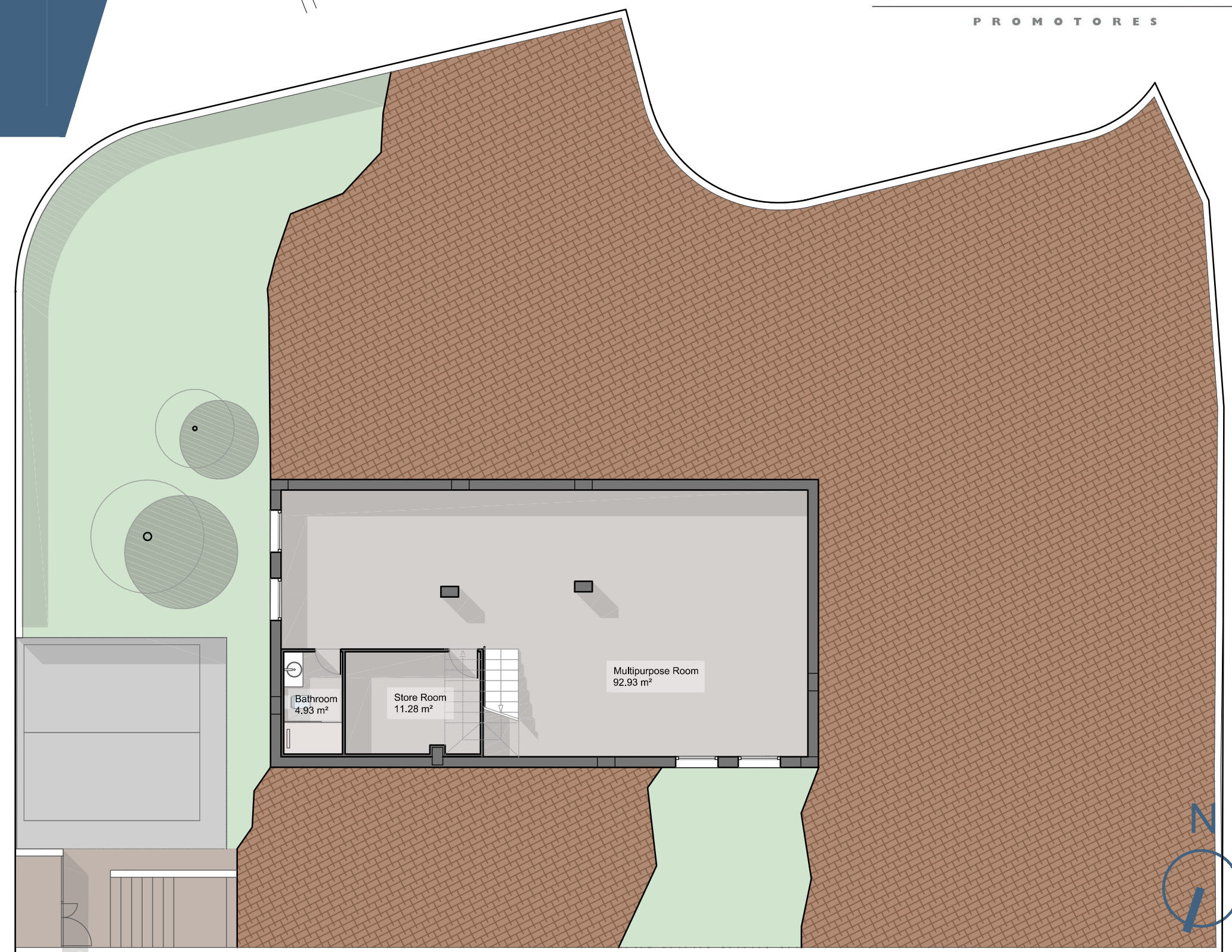
Basemnet 127.52m<sup>2</sup>

### TOTAL BUILT BASEMENT

127.52m<sup>2</sup>



PROMOTORES



NOTA: Estos planos son orientativos, pudiendo sufrir modificaciones durante el desarrollo del proyecto, a juicio de la dirección técnica y de los organismos competentes. El mobiliario es figurativo no vinculante.

NOTE: These plans are for guidance only, and may change during the project, according to the technical management. Figurative furniture is not binding.